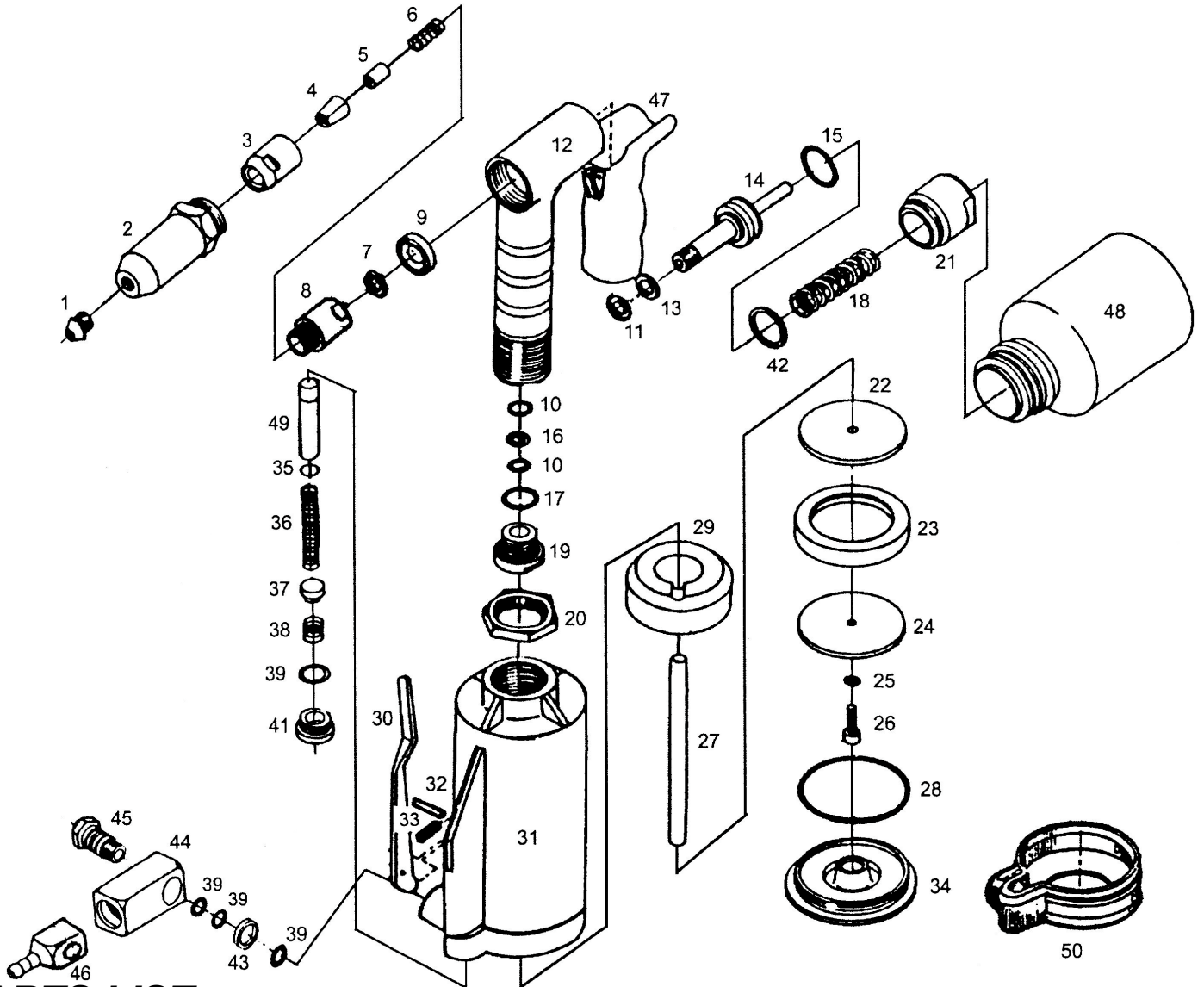




GISON Pneumatic Tools

GP-501 3/16" Air Hydraulic Riveter



PARTS LIST

✳ : Consuming Part

No.	Part No.	Description	Qty.	No.	Part No.	Description	Qty.
01	501001	3/16" Nosepiece	1	26	501026	Piston Head Lock Screw	1
02	501002	Head	1	27	501027	Plunger Rod	1
03	501003	Jaw Housing	1	28	501028	O-Ring Seal	1
04	501004	Jaws	1	29	501029	Damping Ring	1
05	501005	Jaw Pusher	1	30	501030	Trigger Arm	1
06	501006	Spring	1	31	501031	Air Cylinder Body	1
07	501007	Nut	1	32	501032	Roll Pin	1
08	501008	Jaw Housing Coupler	1	33	501033	Spring	1
09	501009	Wiper Ring	1	34	501034	Air Cylinder Cap	1
10	501010	O-Ring Seal	2	35	501035	O-Ring Valve Tube	1
11	501011	O-Ring Washer	1	36	501036	Valve Spring	1
12	501012	Hydraulic Section	1	37	501037	Valve Plate	1
13	501013	O-Ring Seal	1	38	501038	Valve Pressure Spring	1
14	501014	Hydraulic Plunger	1	39	501039	O-Ring Seal	4
15	501015	O-Ring Seal	1	40	501040	Wrench	1
16	501016	O-Ring Washer	1	41	501041	Screw Plug	1
17	501017	O-Ring Seal	1	42	501042	O-Ring Washer	1
18	501018	Hydraulic Return Spring	1	43	501043	Sealing Washer	1
19	501019	Hydraulic Rod Guide	1	44	501044	1/4" Air Inlet Fitting (F)	1
20	501020	Lock Nut	1	45	501045	Air Inlet Plug	1
21	501021	Screw Plug	1	46	501046	1/4" Air Inlet Fitting (M)	1
22	501022	Front Piston Head Disc	1	47	501047	Hand Grip	1
23	501023	Piston Head Packing Ring	1	48	501048	Plastic Bottle	1
24	501024	Rear Piston Head Disc	1	49	501049	Valve Tube	1
25	501025	Piston Head Spring Washer	1	50	501050	Rubber Cushion	1